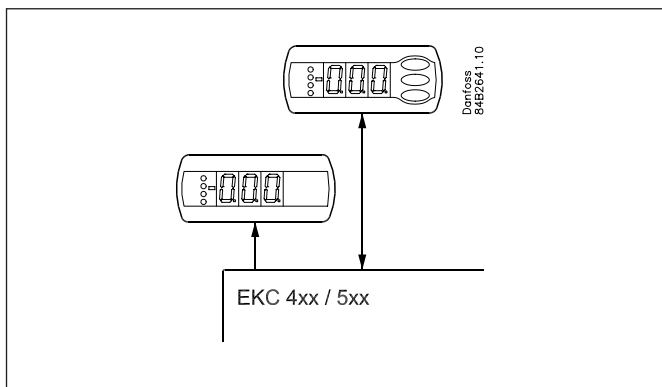
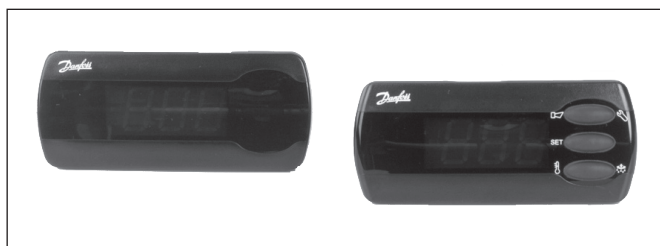


### Application

The displays may be used in conjunction with some of the controllers in the AK- and EKC series, e.g. AK-CC, AK-PC, EKC 414, EKC 514.

EKA 163 has no operating buttons and can be mounted on the refrigeration appliance in such a way that the customer can see the temperature at the goods.

EKA 164 has operating buttons so that settings can be made in the controller's menu system.



There are 2 types: type A and type B.  
Type A has a stronger communication circuit that covers both RS 485 and TTL.  
Type A can be used instead of type B.  
Do not use type B when controller data requires type A.

Display for show of measurements

**EKA 163**

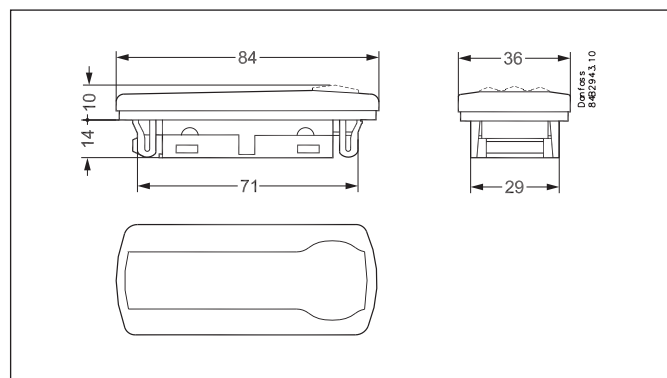
Display for show of measurements and operating buttons for setting of the controllers functions

**EKA 164**

### Data

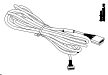
Supply	12 V +/-15% (from controller)	
Display/operation	Readout accuracy in measuring range: 0.1°C EKA 163, LED, 3-digits EKA 164, LED, -digits, operation buttons	
Electrical connection	EKA 163A EKA 164A	Via screw terminals
	EKA 163B EKA 164B	Via plug
Communication	A-Version	RS 485* and TTL
	B-Version	TTL
Environments	-10 - 55°C, during operation	
	-40 - 70°C, during transport	
	20 - 80% Rh, non condensing No shock influence / no vibrations	
Enclosure	From back	IP 20
Front mounting	EKA 163 EKA 164	IP 65

### Dimensions



\* The installation of data communication must keep the requirements which are described in literature no. RC8AC

## Ordering

Type	Description		Code no.
EKA 163A	Display unit	Screw terminals	<b>084B8562</b>
EKA 163B		With plug	<b>084B8574</b>
EKA 164A	Display unit with operation buttons	Screw terminals	<b>084B8563</b>
EKA 164B		With plug	<b>084B8575</b>
	Cable for display unit (2 m m/each)	1.	<b>084B7298</b>
		24	<b>084B7179</b>
	Cable for display unit (6 m m/plug)	1	<b>084B7299</b>
		24	<b>084B7097</b>
	Cable for display unit (3 m m/plug)	24	<b>084B7099</b>
	Cable for display unit (9 m m/plug)	24	<b>084B7630</b>

See also the connection option for the actual controller